

Double-deck playback/record IC (DDPR)

TDA1602A

FEATURES

- Two stereo playback preamplifiers
- Stereo playback amplifier
- High speed dubbing headswitch for channel A
- Record/playback headswitch for channel B
- Dubbing switch
- Stereo record amplifier
- Automatic level control
- Erase and bias oscillator
- Tape selector
- Reference voltage source ($1/2 V_p$)
- Logic part

GENERAL DESCRIPTION

The TDA1602A is a Dolby B compatible recorder IC, which has been designed for use in double-deck recorders for Ferro/Chrome with high speed dubbing. The device performs all the basic recorder functions and needs only a very simple peripheral circuit of a few components. The DDPR may also be used in applications with automatic reverse.

All functions of the DDPR are selected by externally applied DC voltage levels. The circuit is designed for use with a mains-fed asymmetrical power supply but can also be used with a symmetrical power supply (because of its own $1/2 V_p$ reference voltage source).

ORDERING INFORMATION

EXTENDED TYPE NUMBER	PACKAGE			
	PINS	PIN POSITION	MATERIAL	CODE
TDA1602A	40	DIL	plastic	SOT129

Double-deck playback/record IC (DDPR)

TDA1602A

QUICK REFERENCE DATA

All voltages referenced to pin 12, all currents positive into the IC

SYMBOL	PARAMETER	CONDITIONS	MIN.	TYP.	MAX.	UNIT
V_p	supply voltage range		7.0	–	18.0	V
Playback amplifier						
G	gain	$f = 315 \text{ Hz}$	–	57	–	dB
S/N	signal-to-noise ratio		–	53	–	dB
THD	total harmonic distortion	$V_o = 150 \text{ mV}$	–	0.1	–	%
Headswitch						
$V_{ON(p-p)}$	maximum voltage (peak-to-peak value)	record mode	–	–	90	V
Record amplifier						
G	gain	$f = 315 \text{ Hz}$	–	14	–	dB
S/N	signal-to-noise ratio		–	65	–	dB
THD	total harmonic distortion	$V_{O\text{record}} = 1.5 \text{ mV}$	–	0.3	–	%
Automatic level control						
ΔV_o	output voltage variation	$\Delta V_{\text{ine}} = 20 \text{ dB}$	–	1	–	dB
Oscillator						
f_{OSC}	frequency range		60	–	120	kHz
$I_{O(\text{peak})}$	output current (peak value)		140	–	–	mA
$V_{O(p-p)}$	output voltage (peak-to-peak value)		–	–	36	V
Reference voltage						
V_{ref}	output voltage		–	$1/2 V_p$	–	V
Logic part						
I_i	input current		–	100	–	μA
	pins 8 and 10		–	–	900	μA
	pins 7 and 9		–	–	900	μA

Double-deck playback/record IC (DDPR)

TDA1602A

PINNING

SYMBOL	PIN	DESCRIPTION
LOL	1	line out left
LOR	2	line out right
LIR	3	line in right
SOR	4	source-selector out right
SOL	5	source-selector out left
LIL	6	line in left
S/M	7	signal/mute input for line out
A/B	8	channel selection input
TS	9	tape selection input
P/R/HSR	10	playback/record/high-speed record selection input
EQUADJ	11	equalization adjustment
V _{ref}	12	reference voltage source
GND	13	ground; substrate
V _p	14	supply voltage
OSCCON	15	amplitude control input for oscillator
OSCO1	16	oscillator output 1
OSCGND	17	oscillator ground
OSCO2	18	oscillator output 2
ADJRT	19	adjustment of release time
ADJLST	20	adjustment of limiting and setting time
RECELF	21	record equalization right: LF adjustment
RECELLF	22	record equalization left: LF adjustment
BRIP	23	deck B right input: connection input playback
BRIBHF	24	deck B right input: connection HF biasing
SGNDB	25	signal ground for deck B
BLIBHF	26	deck B left input: connection HF biasing
BLIP	27	deck B left input: connection input playback
RECOL	28	record amplifier left output
RECOR	29	record amplifier right output
RECELHF	30	record equalization left: HF adjustment
RECERHF	31	record equalization right: HF adjustment
PERHF	32	playback equalization right: HF adjustment
PELHF	33	playback equalization left: HF adjustment
ARI	34	deck A right input
HSDR	35	connection for high speed dubbing capacitor right
SGNDA	36	signal ground for deck A
HSDL	37	connection for high speed dubbing capacitor left
ALI	38	deck A left input

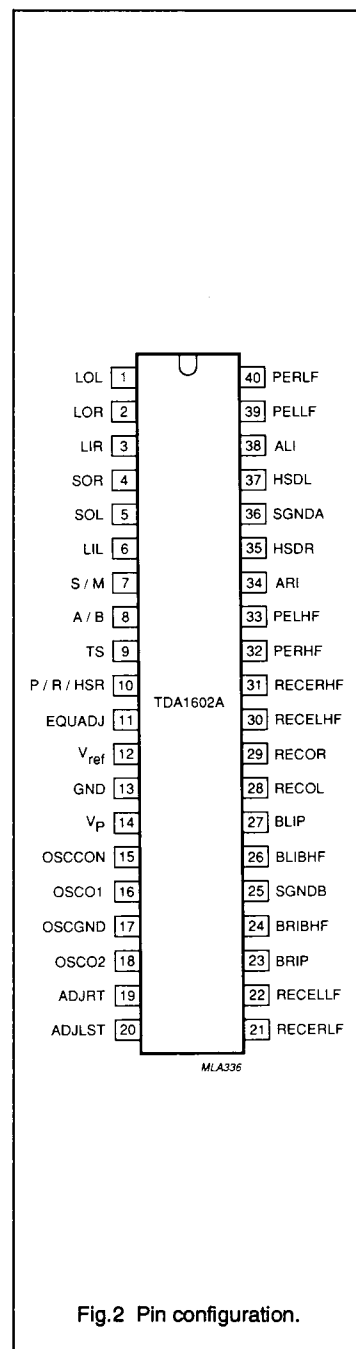


Fig.2 Pin configuration.

Double-deck playback/record IC (DDPR)

TDA1602A

SYMBOL	PIN	DESCRIPTION
PELLF	39	playback equalization left: LF adjustment
PERLF	40	playback equalization right: LF adjustment

FUNCTIONAL DESCRIPTION

Playback pre-amplifier

The playback preamplifier is a linear low-noise amplifier with an internal fixed gain of 26.4 dB. The relevant preamplifier for playback of channel A or B can be selected externally.

Playback amplifier

The frequency response of the playback amplifier is determined by two external capacitors (Right: C6 and C21, Left: C5 and C20). The different equalization curves for Ferro and Chrome (with time constants of 120 μ s and 70 μ s respectively) are controlled by the logic part of the circuit.

High speed dubbing headswitch

This electronic switch is used to connect, or disconnect, an extra external capacitor (Right: C4, Left: C1) in parallel with the gap-loss correction capacitor.

Record/playback headswitch

This is a two position electronic switch which switches the relevant side of the head to the signal ground.

RECORD POSITION

In the record mode the input of the playback amplifier is switched to the signal ground. In this way the bias and audio signal current can be applied to the head.

PLAYBACK POSITION

In the playback mode the biasing side of the head is switched to the signal ground.

Record amplifier

The frequency response of the record amplifier is determined by means of two external capacitors (Right: C11 and C12; Left: C17 and C18).

By omitting these capacitors a flat frequency response is obtained for Dolby application.

Automatic level control

The automatic level control (ALC) has a control range of 20 dB. The variation in the output voltage is less than 2 dB (see Fig.5). The attack and recovery time of the ALC can be adjusted externally.

Erase and bias oscillator

The erase and bias oscillator provides the following:

A high frequency bias current to enable a linear magnetic recording process on the tape.

A sinusoidal voltage, the amplitude of which is determined by the applied voltage at pin 15 (see also Fig.6).

The necessary current for erasing the tape which is only activated when the circuit is switched to the record mode.

Reference voltage source

This circuit delivers an output voltage which is half the supply voltage. The output voltage can be taken as signal ground. In this way a symmetrical power supply is available for the total recorder application.

Logic part

The logic part converts the incoming information from the logic input into the necessary switching signals, used in the analog parts of the circuit. The conversion is determined by the level of the input signal (see Fig.7). The logic inputs (pins 8 and 10) are independent of signal rise and fall times. The inputs at pins 7 and 9 enable smooth switching between signal/mute and Ferro/Chrome respectively.

Double-deck playback/record IC (DDPR)

TDA1602A

LIMITING VALUES

In accordance with the Absolute Maximum System (IEC 134). All voltages referenced to pin 12; all currents positive into the IC

SYMBOL	PARAMETER	CONDITIONS	MIN.	MAX.	UNIT
V_P	positive supply voltage		–	18	V
V_{7-10}	logic input voltage (pins 7 to 10)		0	V_P	V
V_{15}	control input voltage (pin 15)		0	V_P	V
$V_{16,18}$	oscillator output voltage (pins 16 and 18)		0	36	V
$V_{28,30}$	headswitch voltage (pins 28 and 30)		–45	+45	V
T_{stg}	storage temperature range		–55	+150	°C
T_j	junction temperature		–	+150	°C
P_{tot}	total power dissipation	$T_{amb} = +60\text{ °C}$	–	1.8	W

Double-deck playback/record IC (DDPR)

TDA1602A

DC CHARACTERISTICS

All voltages referenced to pin 12; all currents positive into the IC; All parameters are measured in the test circuit (Fig.11) at nominal supply voltage ($V_P = 15\text{ V}$); $f = 315\text{ Hz}$; tape selectors at Fe02 position; normal speed; non-Dolby application; $T_{\text{amb}} = 25\text{ }^\circ\text{C}$; unless otherwise specified

SYMBOL	PARAMETER	CONDITIONS	MIN.	TYP.	MAX.	UNIT
Supplies						
V_P	supply voltage range		7.0	–	18.0	V
I_P	supply current	note 1				
		playback mode	35	39	43	mA
		record mode	39	43	47	mA
Playback amplifier (Fe02/Cr02)						
G	gain at normal speed	$f = 315\text{ Hz}$	55	57	59	dB
B	frequency response with respect to gain	$f = 30\text{ Hz}$	10	12	14	dB
		Cr02, $f = 10\text{ kHz}$	–18	–17	–16	dB
		Fe02, $f = 10\text{ kHz}$	–13.5	–12.5	–11.5	dB
	left/right balance		–1	0	+1	dB
	A/B balance		–1	0	+1	dB
G	gain at double speed	$f = 630\text{ Hz}$	49	51	53	dB
B	frequency response with respect to gain	$f = 60\text{ Hz}$	10	12	14	dB
		Cr02; $f = 20\text{ kHz}$	–18	–17	–16	dB
		Fe02; $f = 20\text{ kHz}$	–13.5	–12.5	–11.5	dB
	left/right balance		–1	0	+1	dB
V_O	nominal output voltage	note 2; $V_I = 200\text{ }\mu\text{V}$	–	150	–	mV
THD	total harmonic distortion	$V_I = 200\text{ }\mu\text{V}$	–	0.1	0.3	%
		$V_I = 280\text{ }\mu\text{V}$	–	–	1	%
S/N	signal-to-noise ratio	note 3; weighted curve; 20 Hz to 20 kHz	51	53	–	dB
		weighted curve A(IEC179)	–	60	–	dB
	left/right separation	$V_O = 150\text{ mV}$	40	50	–	dB
SVRR	supply voltage ripple rejection	$V_{\text{ripple}} = 100\text{ mV}$; $f = 100\text{ Hz}$	–	25	–	dB
$ Z_i $	input impedance		100	–	–	k Ω
I_{bias}	input bias current		–	0.5	–	μA
V_O	DC output voltage with respect to V_{ref} (V_{1-12} and V_{2-12})		–30	0	+30	mV
	A/B separation	note 4	–	340	–	μV
		note 5	–	tbf	–	mV
	suppression of output signal (channel A and B)	$V_7 = V_P$	–	90	–	dB

Double-deck playback/record IC (DDPR)

TDA1602A

SYMBOL	PARAMETER	CONDITIONS	MIN.	TYP.	MAX.	UNIT
Record/playback headswitch						
$ Z_{ON} $	impedance ON playback mode	between pins 26 and 25 and pins 24 and 25; $I = 100 \mu\text{A(RMS)}$	-	35	100	Ω
	record mode	between pins 27 and 25 and pins 23 and 25; $I = 1.5 \text{ mA(RMS)}$	-	25	50	Ω
I_{IL}	OFF-state leakage current	voltage on pins 24 and 26 of $V_{DC} = \pm 45 \text{ V}$ with respect to V_{ref} (pin 12)	-	1.0	2.5	μA
$ Z_{ON} $	high-speed dubbing headswitch	normal speed, between pins 35 and 36 and pins 36 and 37; $I = 100 \mu\text{A(RMS)}$	-	100	1000	Ω
Record amplifier (ALC off)						
G	gain at normal speed	$f = 315 \text{ Hz}$	13	14	15	dB
		note 6 note 7	-	20	-	dB
B	frequency response with respect to gain	$f = 10 \text{ kHz}$	8.5	10.0	11.5	dB
		Dolby; $f = 10 \text{ kHz}$ note 6 note 7	13 -	14 20	15 -	dB dB
	left/right balance		-1	0	+1	dB
G	gain at double speed	note 7; $f = 630 \text{ Hz}$	19	20	21	dB
B	frequency response with respect to gain	$f = 20 \text{ kHz}$	8	10	12	dB
		left/right balance	-1	0	+1	dB
V_o	maximum output voltage	$V_{Osel} = 800 \text{ mV};$ $f = 1 \text{ kHz}; \text{THD} = 3\%$	-	4.0	-	V
THD	total harmonic distortion	ALC switch ON; $f = 1 \text{ kHz}$	-	-	0.7	%
		$V_{Osel} = 1 \text{ V}$	-	0.5	-	%
		$V_{Osel} = 3 \text{ V}$	-	-	-	-
S/N	signal-to-noise ratio	note 8; weighted curve 20 Hz to 20 kHz	-	60	-	dB
		weighted curve A(IEC179)	-	65	-	dB
		Dolby; weighted curve 20 Hz to 20 kHz	70	73	-	dB
	left/right separation	$V_{Osel} = 300 \text{ mV}$	40	50	-	dB
SVRR	supply voltage ripple rejection	$V_{ripple} = 100 \text{ mV};$ $f = 100 \text{ Hz}$	-	30	-	dB
$ Z_i $	input impedance		100	-	-	k Ω

Double-deck playback/record IC (DDPR)

TDA1602A

SYMBOL	PARAMETER	CONDITIONS	MIN.	TYP.	MAX.	UNIT
Record amplifier (ALC off)						
V_o	DC output voltage with respect to V_{ref}	normal speed record, V_{28-12} and V_{29-12}	-30	0	30	mV
R_L	load impedance on the output		10	-	-	k Ω
$ Z_o $	output impedance	note 9	-	tbf	-	Ω
	suppression of line input	dubbing mode; $V_{Osel} = 300$ mV	-	tbf	-	dB
		deck B in playback; $V_{Osel} = 300$ mV	-	tbf	-	dB
Source-selector						
I_{bias}	input bias current		-	15	-	nA
S/N	signal-to-noise ratio	note 10; weighted curve 20 Hz to 20 kHz	77	90	-	dB
		weighted curve A(IEC179)	-	96	-	dB
Automatic Level Control (ALC); see Fig.5						
V_{ref}	input reference voltage for ALC start operation		-	300	-	mV
V_{Oref}	output reference voltage	ALC switched ON; $V_{Osel} = 300$ mV	1.35	1.5	1.65	V
ΔV	output voltage variation	$V_{Osel} = 330$ mV	-	0.2	1	dB
		$\Delta V_{Osel} = 10$ dB	-	1	-	dB
		$\Delta V_{Osel} = 20$ dB	-	1	-	dB
t_l	limiting time	$\Delta V_{Osel} = 10$ dB	-	1	-	ms
t_s	setting time		-	2	-	ms
t_r	release time		-	10	-	s
Erase and bias oscillator						
f_{osc}	oscillator frequency	note 11	-	80	-	kHz
$I_{O(p-p)}$	maximum output current pins 16 and 18 (peak-to-peak value)		140	-	-	mA
V_{osc}	output voltage pins 16 to 17 and pins 17 to 18 (peak-to-peak value)	$V_p = 18$ V	-	-	36	V
V_{15}	voltage control range	note 12	2.0	-	13.0	V
V_{osc}	peak output voltage	see Fig.6; $V_{control} = V_p - 8$ V between pins 16 and 18	-	8.0	-	V
I_i	input current of control inputs		-	0.1	-	μ A
THD	total harmonic distortion between pins 16 and 18	$I_o = 80$ mA	-	0.5	-	%

Double-deck playback/record IC (DDPR)

TDA1602A

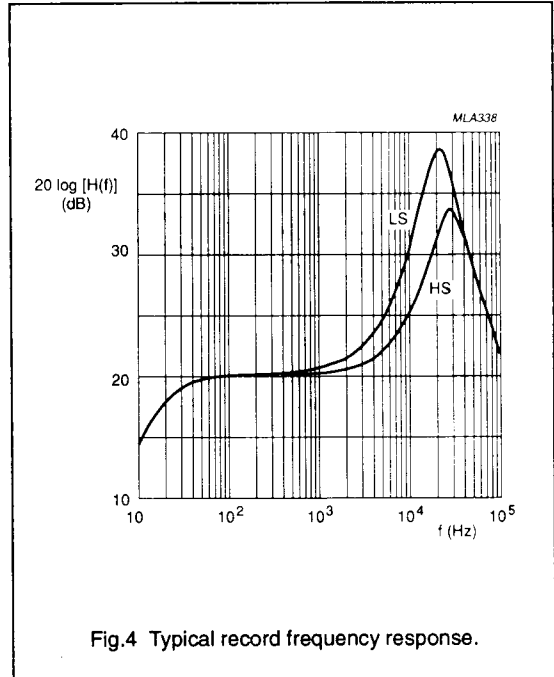
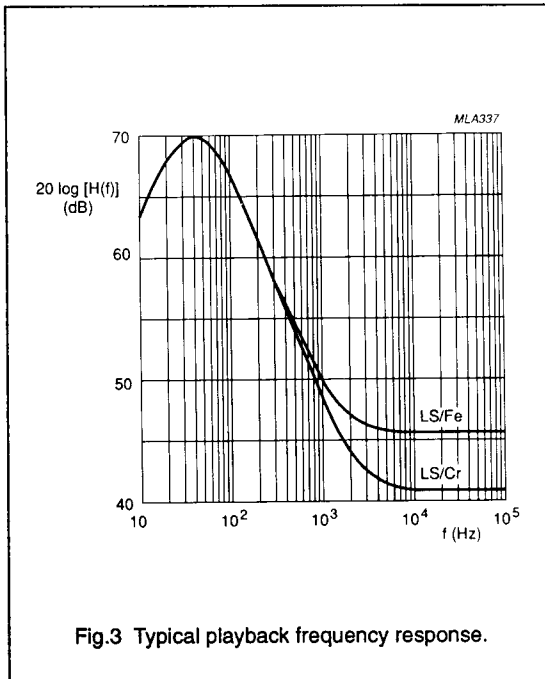
SYMBOL	PARAMETER	CONDITIONS	MIN.	TYP.	MAX.	UNIT
Reference voltage source						
V_{12}	output voltage	note 13; no external load	7.25	7.5	7.75	V
ΔV_{12}	output voltage deviation	$\Delta I_{ref} = 1 \text{ mA}$	-100	-	+100	mV
Logics inputs (pins 7 to 10); see Figs 7, 8 and 9						
I_7	signal/mute input current	$V_7 = V_P$	-	-	900	μA
V_7	signal/mute input voltage	signal	0	-	0.3	V
		mute	6.0	-	15.0	V
I_8	input current for channel A/B selection	$V_8 = V_P$	-	100	150	μA
		input voltage for channel A/B selection				
		deck A	0	-	3.0	V
	mute	5.0	-	10.0	V	
	deck B	12.0	-	15.0	V	
I_9	input current for tape selection	$V_9 = V_P$	-	-	900	μA
V_9	input voltage for tape selection	Cr02	0	-	0.3	V
		Fe02	6.0	-	15.0	V
I_{10}	input current for mode selection	$V_{10} = V_P$	-	100	150	μA
V_{10}	input voltage for mode selection	playback	0	-	4.0	V
		record	6.0	-	9.0	V
		high-speed record	11.0	-	15.0	V

Notes to the characteristics

- The supply current is measured in the test circuit without an additional load of the $1/2 V_P$ reference voltage source. In the record mode the tape selector is at position Cr02; the oscillator is OFF.
- The output impedance of the output buffer is typical $Z_O = 1 \text{ k}\Omega$.
- The signal-to-noise ratio is related to an output signal $V_O = 150 \text{ mV}$ with $R_S = 1 \text{ k}\Omega$. The circuit is switched at normal speed and the tape selector is at position Cr02.
- Channel A is switched in the playback mode, at deck B a signal of $V_I = 200 \mu\text{V}$ ($f = 315 \text{ Hz}$) is applied. The output voltage at the playback amplifier is not measured selectively (bandwidth = 20 Hz to 20 kHz).
- Deck B is switched in the record mode, at pins 24 and 26 a signal of $I_I = 1 \text{ mA}$ ($f = 80 \text{ kHz}$) is applied.
- Line input selected, measured relative to source selector output.
- Switched in dubbing mode, measured relative to line output.
- The signal-to-noise ratio is related to an output signal $V_O = 1.5 \text{ V}$. The circuit is switched at normal speed.
- Measured with $f = 80 \text{ kHz}$ and $I_I = 1 \text{ mA}$.
- The signal-to-noise ratio is related to an output signal $V_O = 300 \text{ mV}$.
- The oscillator frequency is determined by L_L and C_L and may be adjusted between 60 kHz and 120 kHz.
- For stable oscillator operation the control voltage must be greater than 1 V.
- The output voltage is independent of the operating mode (playback/record).

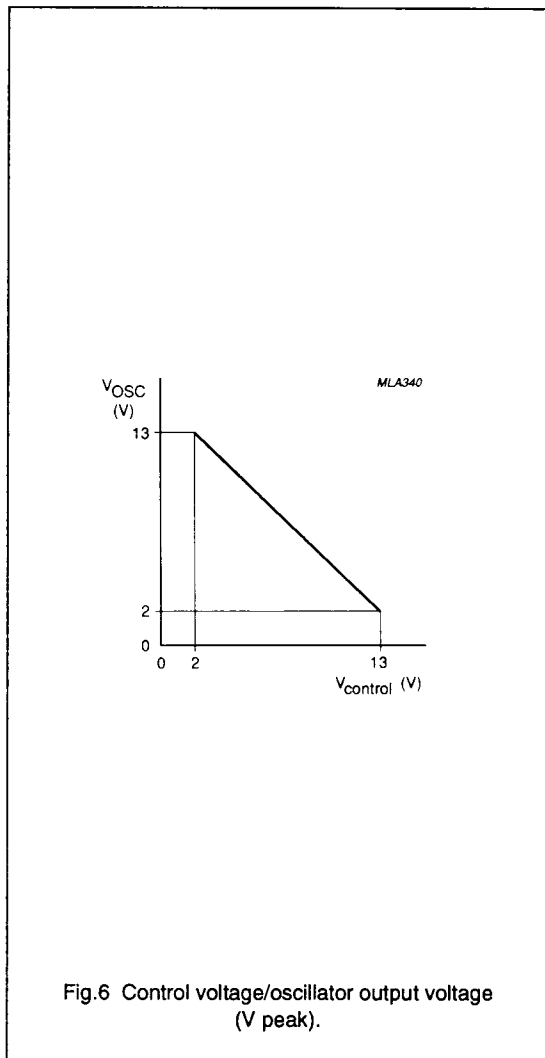
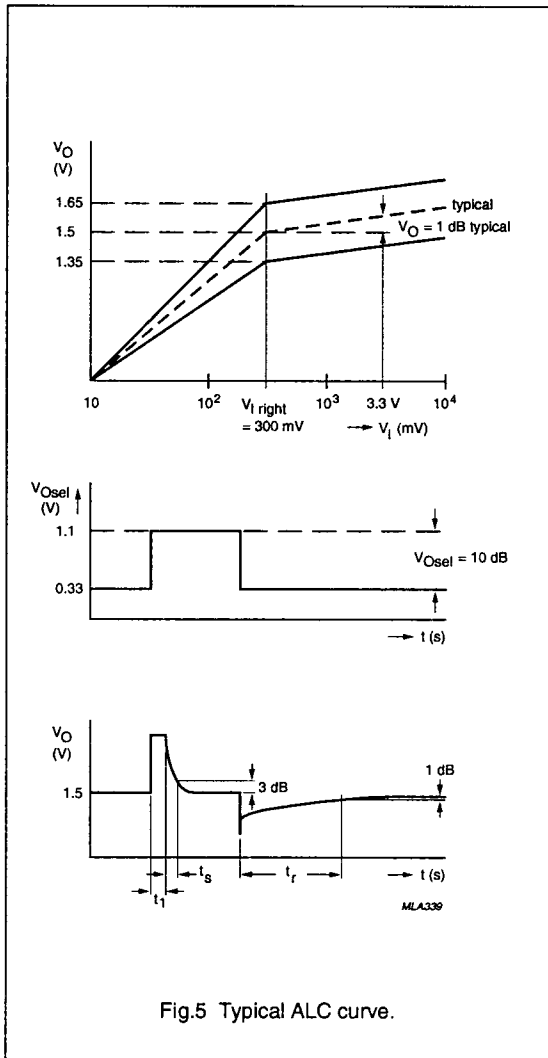
Double-deck playback/record IC (DDPR)

TDA1602A



Double-deck playback/record IC
(DDPR)

TDA1602A



Double-deck playback/record IC
(DDPR)

TDA1602A

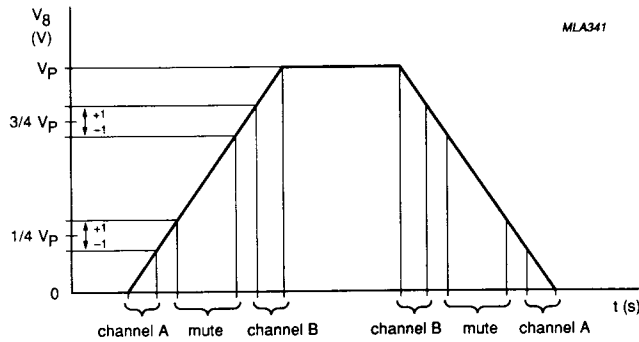


Fig.7 Channel selection input.

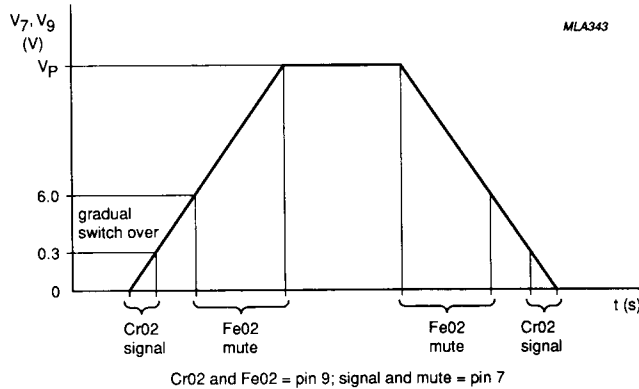


Fig.8 Tape selection input and signal/mute input.

Double-deck playback/record IC
(DDPR)

TDA1602A

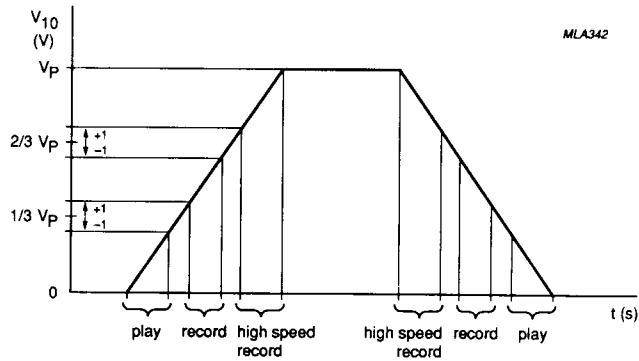


Fig.9 Playback/record/high-speed record selection input.

Double-deck playback/record IC (DDPR)

TDA1602A

Table 1 Logic DDPR (S/M input not included)

LOGIC INPUTS		CHANNEL	R/P	HS	Fe/Cr	PB	DUB.	REC.	ALC	BIAS
A/B	Fe/CrA	SELECT	SWITCH	SWITCH	PB	AMP.	SWITCH	AMP.	OP.	OSC.
Playback										
A	Fe	A	P	ON	Fe	ON	mute	OFF	OFF	OFF
A	Cr	A	P	ON	Cr	ON	mute	OFF	OFF	OFF
B	Fe	B	P	ON	Fe	ON	mute	OFF	OFF	OFF
B	Cr	B	P	ON	Cr	ON	mute	OFF	OFF	OFF
Record										
A	Fe	A	R	ON	Fe	ON	dubbing	ON	OFF	ON
A	Cr	A	R	ON	Cr	ON	dubbing	ON	OFF	ON
B	Fe	A	R	ON	Fe	ON	line	ON	ON	ON
B	Cr	A	R	ON	Cr	ON	line	ON	ON	ON
High speed record										
A	Fe	AHS	R	OFF	Fe	ON	dubbing	ON	OFF	ON
A	Cr	AHS	R	OFF	Cr	ON	dubbing	ON	OFF	ON
B	Fe	A	R	ON	Fe	ON	line	ON	ON	ON
B	Cr	A	R	ON	Cr	ON	line	ON	ON	ON

Table 2 Double deck application

DECK SELECT		A/B	S/M	CHANNEL	HS	PB	DUB.	ALC
A(P)	B(R/P)	INPUT	INPUT	SELECT	SWITCH	AMP.	SWITCH	OP.
Playback								
\bar{A}	\bar{B}	don't care	M	A or B	OFF	OFF	mute	OFF
\bar{A}	B	B	S	B	OFF	ON	mute	OFF
A	\bar{B}	A	S	A	OFF	ON	mute	OFF
Record								
\bar{A}	B	B	M (1)	A	OFF	OFF (1)	line	ON
A	B	A	S	A	OFF	ON	dubbing	OFF
High speed record								
\bar{A}	B	B	M (1)	A	OFF	OFF (1)	line	ON
A	B	A	M (1)	AHS	ON	OFF (1)	dubbing	OFF

Notes to Table 2

1. Fe/Cr selection not included.
2. S is also possible; play buffer = ON.

Double-deck playback/record IC (DDPR)

TDA1602A

APPLICATION INFORMATION

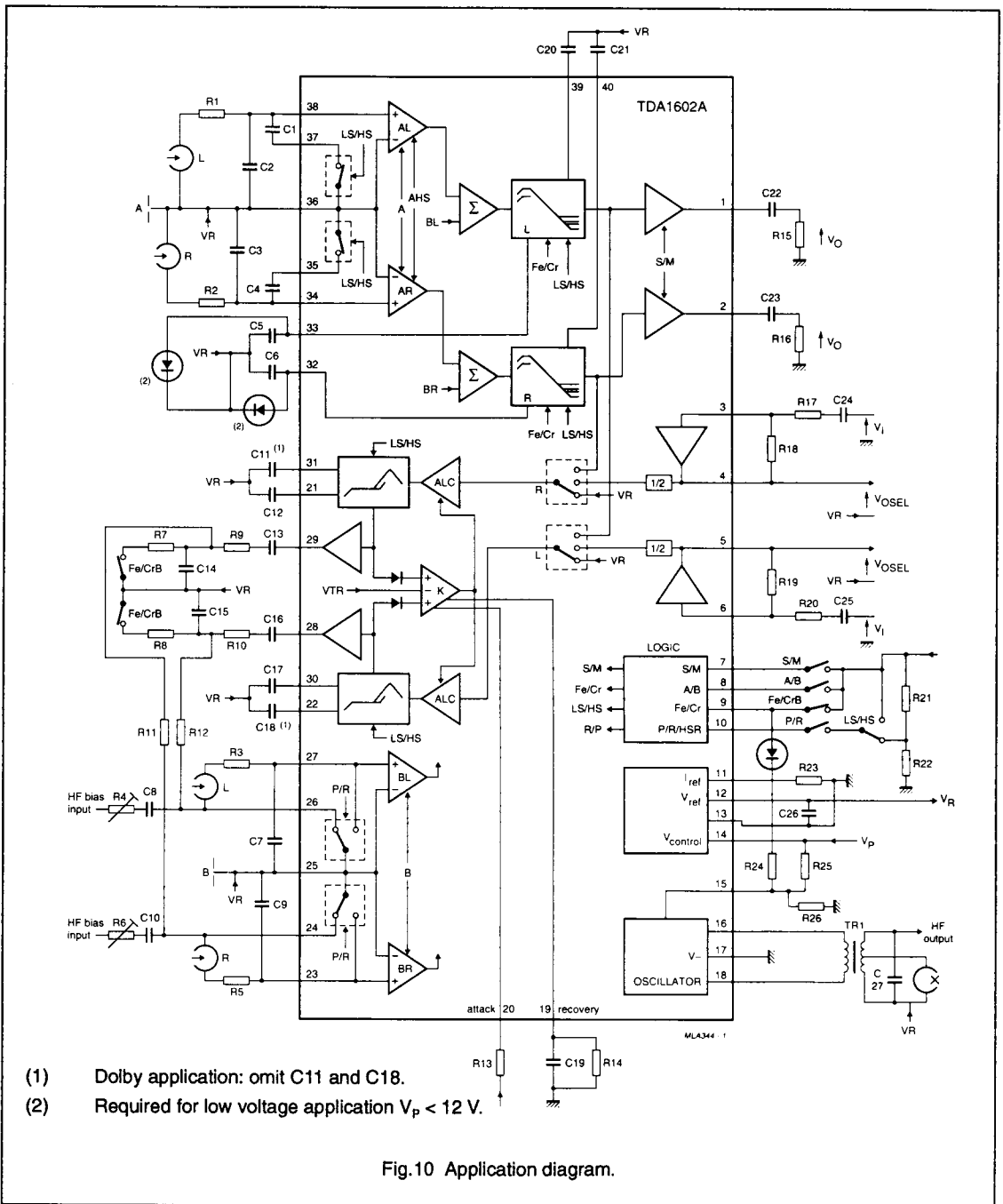


Fig.10 Application diagram.

Double-deck playback/record IC (DDPR)

TDA1602A

TEST INFORMATION

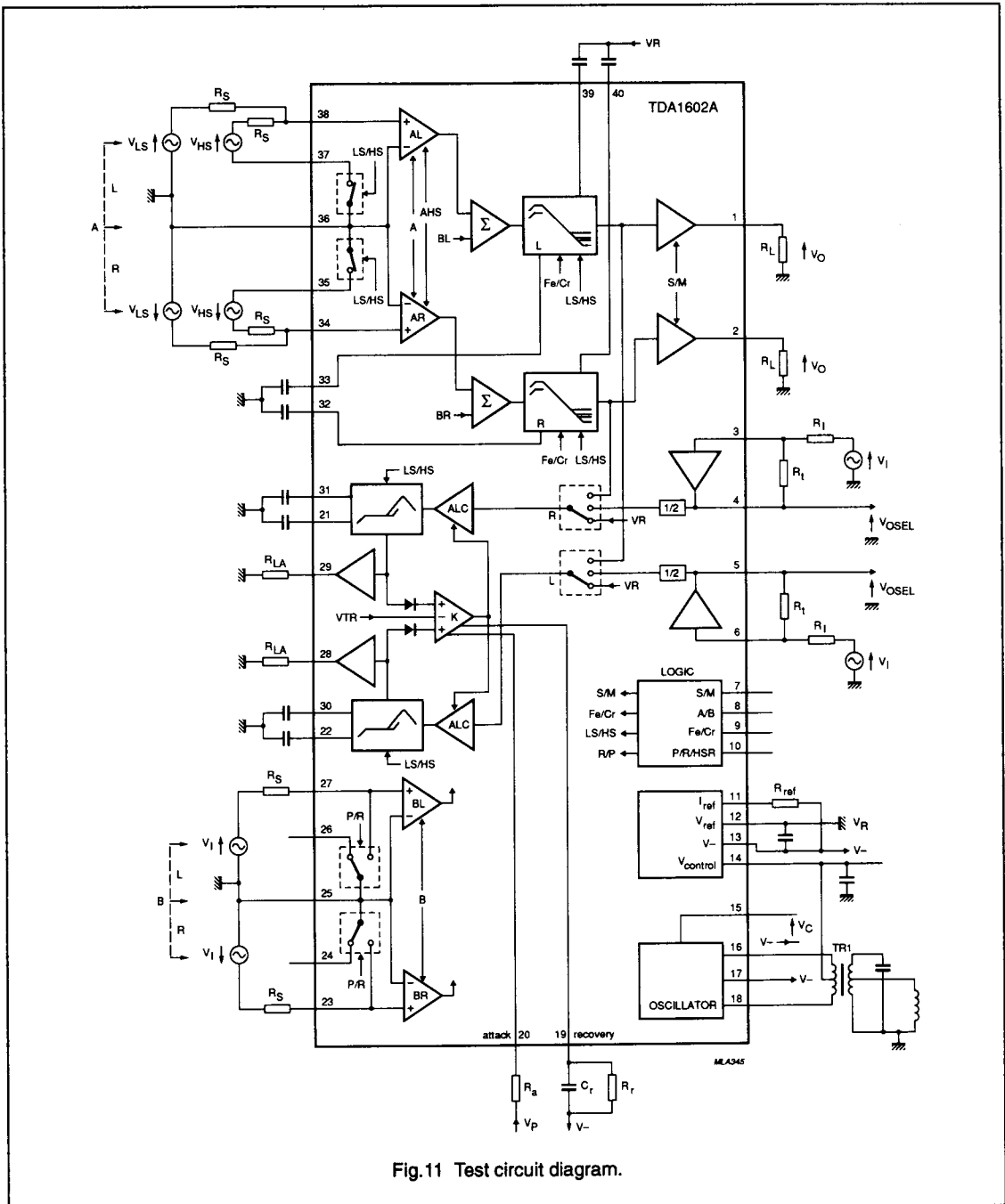


Fig. 11 Test circuit diagram.

Double-deck playback/record IC (DDPR)

TDA1602A

Table 3 Component values used in the application diagram

COMPONENT	CONDITION	VALUE	UNIT
Resistors			
R1, R2		47	Ω
R3, R5		47	Ω
R4, R6	potentiometer	47	k Ω
R7, R8		tbf	
R9, R10		6.8	k Ω
R11, R12		8.2	k Ω
R13		100	Ω
R14		1	M Ω
R15, R16		100	k Ω
R17, R20		tbf	
R18, R19		tbf	
R21, R22		10	k Ω
R23		2	k Ω
R24, R25, R26		5.1	k Ω
Capacitors			
C1, C4		330	pF
C2, C3		330	pF
C5, C6		47	nF
C7, C9		680	pF
C8, C10		820	pF
C11, C18		68	nF
C12, C17		100	μ F
C13, C16		4.7	μ F
C14, C15		tbf	
C19		47	μ F
C20, C21		100	nF
C22, C23		4.7	μ F
C24, C25		4.7	μ F
C26		100	μ F
C27		3.9	nF

Double-deck playback/record IC (DDPR)

TDA1602A

Table 4 Component values used in the test circuit

COMPONENT	CONDITION	VALUE	UNIT
Resistors			
R_S		1	k Ω
R_L		100	k Ω
R_{L_A}		10	k Ω
R_1		4.7	k Ω
R_t		22.6	k Ω
R_{ref}		2	k Ω
R_a		1	k Ω
R_r		3.3	M Ω
Capacitors			
C_r		1	μ F